

## 4K Multi-Line Scan Camera



**2023 V1**

For customized projects please Contact us:  
[sales@simtrum.cn](mailto:sales@simtrum.cn)

## 4K Multi-Line Scan Camera

Our 4k multi-line scan camera series features 4k resolution, multi-line CMOS and  $7\mu\text{m} \times 7\mu\text{m}$  pixel size. Our products have been applied to inspections and applications of railway, traffic and flat panel display and other industrial inspection.

### Feature

#### STL4KGV-30KC

#### STL4KGV-68KT

- Global shutter CMOS
- High sensitivity and low noise
- FFC/ROI/LUT/binning
- GigE Vision interface
- Automatic white balance
- Gigabit ethernet interface, suitable for long-distance transmission



STL4KGV-30KC



STL4KGV-68KT

#### STL4KCL-68KC

#### STL4KCL-200KT

- Global shutter CMOS
- High sensitivity and low noise
- FFC/ROI/LUT/binning
- Analog gain /digital gain
- Camera Link interface
- Offset control (STL4KCL-200KT only)
- Camera link interface



STL4KCL-68KC



STL4KCL-200KT

### Application

#### STL4KGV-30KC

#### STL4KCL-68KC

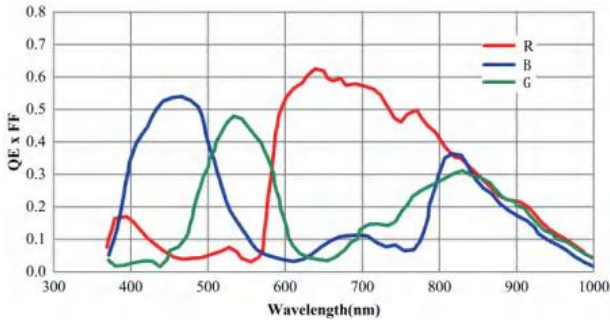
- Lithium battery/solar panel inspection
- Railway and traffic application
- Food and medicine inspection
- Plate and web inspection

#### STL4KGV-68KT

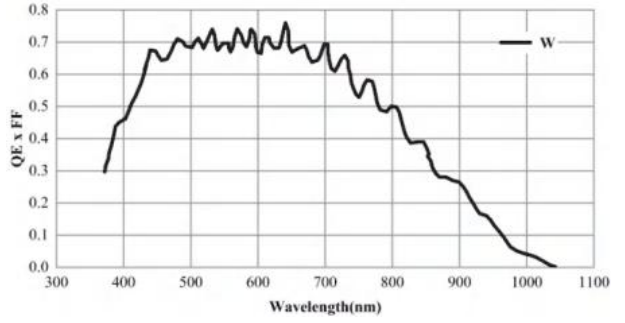
#### STL4KCL-200KT

- Solar panel inspection/Lithium battery
- Railway and traffic application
- Flat panel display inspection
- Plate and web inspection

**Spectral response**

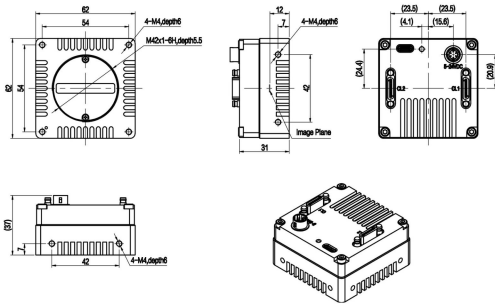


STL4KGV-30KC  
STL4KCL-68KC

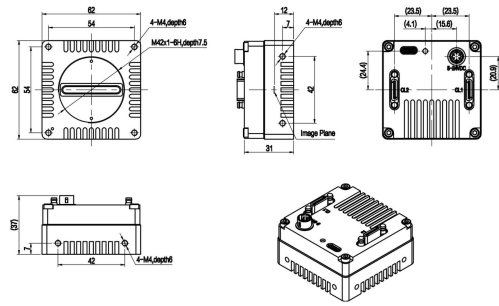


STL4KGV-68KT  
STL4KCL-200KT

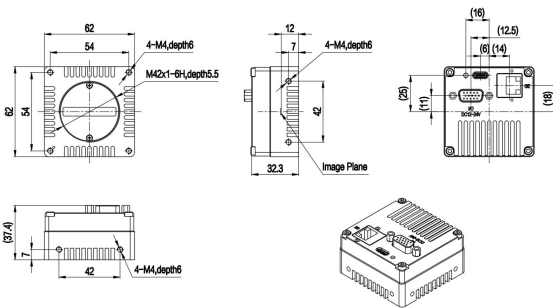
**Drawings**



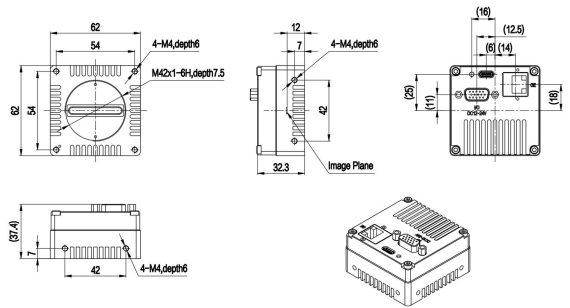
STL4KCL-68KC



STL4KCL-200KT



STL4KGV-30KC



STL4KGV-68KT

## Specifications

Model	STL4KGV-30KC	STL4KGV-68KT	STL4KCL-68KC	STL4KCL-200KT
Sensor	Global shutter CMOS			
Image Mode	Color	Mono	Color	Mono
Optical Size	28.67 mm	28.67 mm	28.67 mm	28.67 mm
Resolution	4096*2	4096 * 2	4096 * 2	4096 * 2
Pixel Size	7μm * 7μm	7μm * 7μm	7μm * 7μm	7μm * 7μm
Max Line Rate	10kHz (30kHz with SAccel™)	30kHz ( 68kHz with SAccel™)	68 kHz	200 kHz
Bit Depth	8/10/12 bit	8/10/12 bit	8/10/12 bit	8/10/12 bit
Dynamic Range	≥63.5 dB	≥63.5 dB	≥63.5 dB	≥66.2dB
Data Rate	124 MB/s	124 MB/s	840 MB/s	819 MB/s
Trigger Mode	Free-run/line trigger control/frame trigger control		Free-run/external pulse/external PWM	
Exposure Control	Pulse width/program			
ExposureTime	6μs - 10s ( step: 1μs)	6μs - 10s ( step: 0.1μs)	2μs - 10s ( step: 0.1μs)	2μs - 10s ( step: 0.1μs)
Analog Gain	1/2/3/4x	1/2/5/10x	1/2/3/4x	1/2/5/10x
Digital Gain	0.004-8.000x	0.004-8.000x	0.01-8.00x	0.01-8.00x
Data Interface	Gige vision	Gige vision	Camera link	Camera link
Lens Interface	M42 * 1	M42 * 1	M42 * 1	M42 * 1
Power Interface	HD15( Female)		Hirose HR10A-7R-6PB(Male)	
Power Supply	DC12-24V(±10%) 1A	DC12-24V(±10%) 1A	DC5-24V(±10%) 1A	DC5-24V(±10%) 1A
Power Dissipation	4.9 W	5.0 W	5.2 W	5.3 W
Dimensions (W*H*D)(mm)	62.0x62.0x37.4	62.0x62.0x37.4	62.0x 62.0x37.0	62.0x62.0x37.0
Operating Temperature	0-65□			
Storage Temperature	-20-75□			